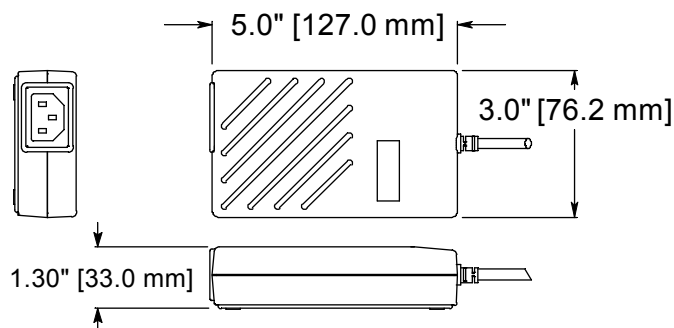


MW40F series

40 Watt Medical Grade AC Adapter



Features

- Wide range AC input
- Fully regulated output
- High efficiency
- Medical grade approval
- Also available in white
- 5 year warranty
- RoHS Compliant
- CEC Compliant

Environmental

- Operating temperature..... 0° C to 40° C
- Storage temperature..... -40° C to 85° C
- Weight = 0.8 lbs

EMI/EMC

- Meets FCC class B, CISPR 11 class B
- EMC per EN60601-1-2

Safety

- CSA C22.2 No. 60601.1-M90
- UL 60601-1, 2nd Edition
- cTUVus IEC 60601-1
- CE Marked EN60601-1-2:2001

Input and Output Connections

- Input connector = IEC 60320 inlet plug
- Output connector = 760 Barrel type
- Output cable length = 6ft (+6"/-0")

Polarity



Electrical Specifications

Input

- Voltage..... 100 - 240 VAC
- Current..... 1.0 Amp @ 115 VAC
- Frequency..... 47 - 63 Hz
- Max. Earth leakage current:

Test Voltage	Normal	Single-fault
132 VAC 60 Hz	50 uA	80 uA
264 VAC 60 Hz	75 uA	135 uA

Output

- Total regulation..... <+/- 5%
- Set point accuracy..... <+/- 3% of rated output
- Hold up time..... >16 ms min at full load, 115 VAC
- Over voltage protection..... Built-in
- Over current protection..... Built-in
- Short circuit protection..... Pulsing mode, auto recovery
- Ripple/noise (V_{p-p})..... <1% (20MHz Bandwidth)

Model No.	Volt	Power	Current	Eff@ 115VAC (Typ)
MW4009-760F-NC-BK	9V	40W	4.4A	82%
MW4012-760F-NC-BK	12V	40W	3.3A	85%
MW4015-760F-NC-BK	15V	40W	2.7A	86%
MW4018-760F-NC-BK	18V	40W	2.2A	86%
MW4024-760F-NC-BK	24V	40W	1.67A	88%